

# Pass-Thru Installation Instructions

for HP c-Class BladeSystem



## Overview

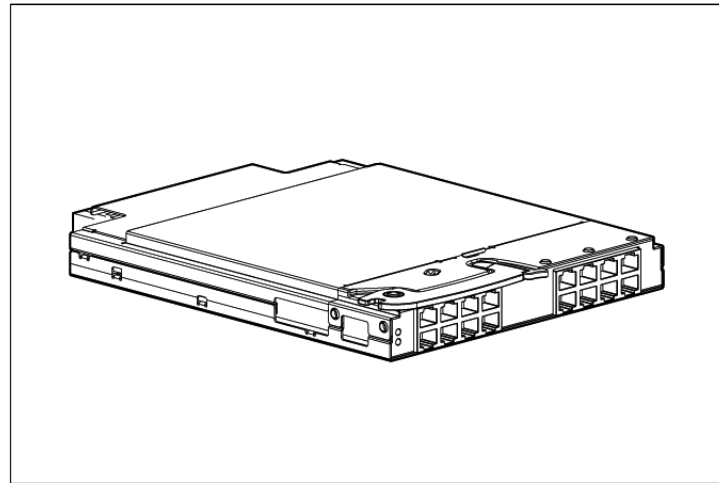
This card provides procedures for installing a 1Gb Ethernet Pass-Thru Module or a 16 Port 4Gb FC Pass-Thru Module in a c-Class server blade enclosure.

## Kit contents

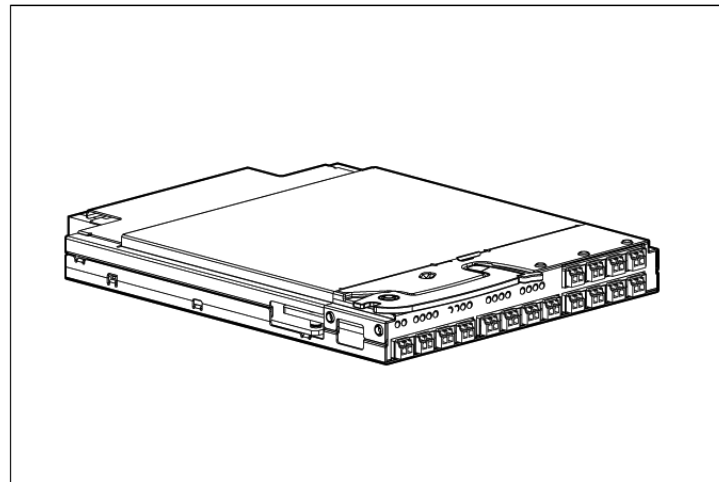
The kit contents include one of the following Pass-Thru modules:

- HP 1Gb Ethernet Pass-Thru Module
- HP 16 Port 4Gb FC Pass-Thru Module (with SFP modules installed)

## HP 1Gb Ethernet Pass-Thru Module



## HP 16 Port 4Gb FC Pass-Thru Module (with SFP modules installed)

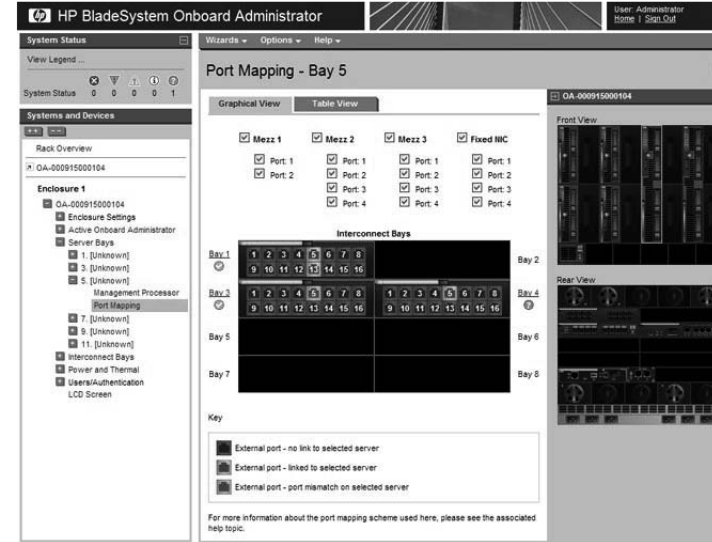


## Additional information

See the HP BladeSystem enclosure setup and installation guide or HP BladeSystem enclosure installation poster that ships with your enclosure for more information on the association between the mezzanine bay and the interconnect bays. Where you install the mezzanine card will determine where you need to install the interconnect modules.

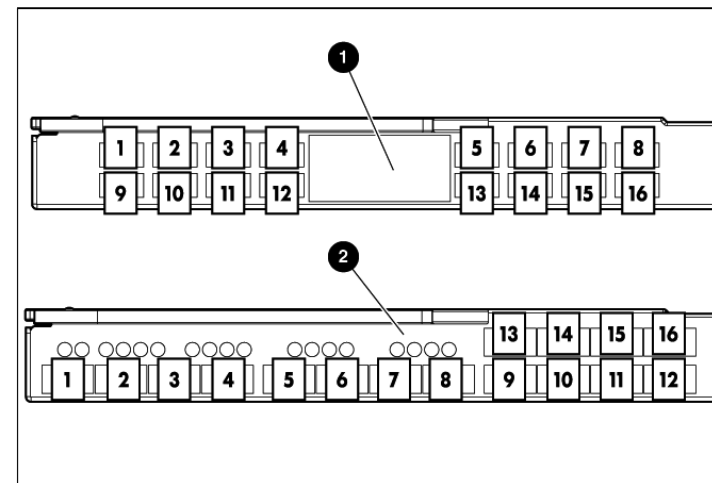
See the *HP BladeSystem Onboard Administrator User Guide* for specific Pass-Thru port connections for each blade. Connections differ by blade type. The information in this guide is needed to understand cabling between the Pass-Thru module and the network switches.

The Onboard Administrator screen example is a helpful reference for port mapping.



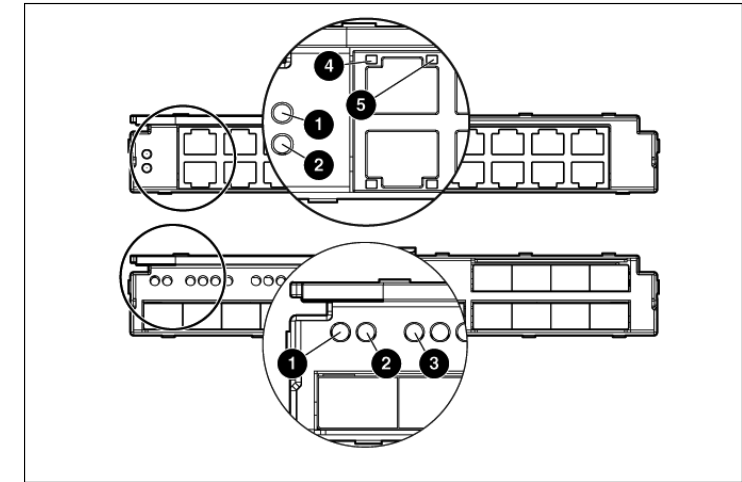
## Pass-Thru connection and LED identification

**NOTE:** See the HP BladeSystem enclosure setup and installation guide for more information on the BladeSystem port mapping.



Item	Description
1	HP 1Gb Ethernet Pass-Thru Module for HP c-Class BladeSystem
2	HP 16 Port 4Gb FC Pass-Thru Module for HP c-Class BladeSystem

## Pass-Thru LED definitions



UID (1) blue	Interpretation
On	Activated
Off	Deactivated

Internal health LED color (2)	Interpretation
Off	Normal (power off)
Green	Normal (power on)
Amber	Problem (a fault exists)

Fibre channel link/Port ID (3)	Interpretation
On	Link
Flashing	Port ID

Ethernet activity (4) green	Interpretation
Flashing	1000 activity
Off	No activity

Ethernet link/Port ID (5) amber	Interpretation
Flashing	1000 link/Port ID
On	1000 link
Off	No link

## Installing a Pass-Thru

**NOTE:** The Pass-Thru may look different from that shown.

© Copyright 2006, 2011 Hewlett-Packard Development Company, L.P.

The information contained herein is subject to change without notice. The only warranties for HP products and services are set forth in the express warranty statements accompanying such products and services. Nothing herein should be construed as constituting an additional warranty. HP shall not be liable for technical or editorial errors or omissions contained herein.

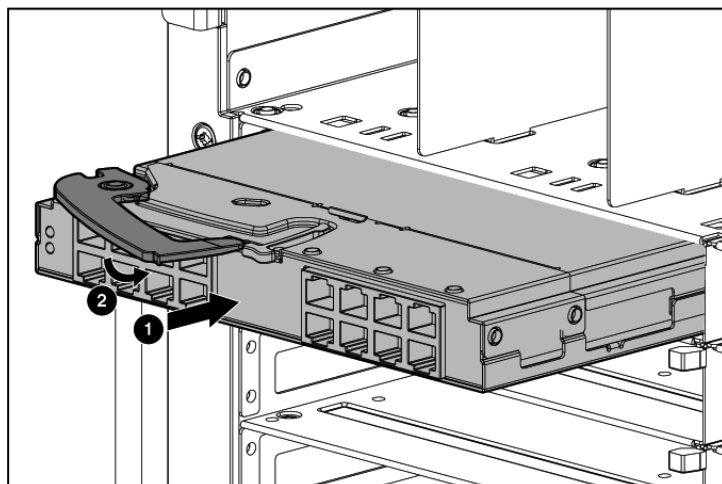
Bluetooth is a trademark owned by its proprietor and used by Hewlett-Packard Company under license.

Part Number: 413280-002  
June 2011  
Edition: 2



413280-002

Open the handle. Insert the Pass-Thru into the bay (1). Close the handle (2).



## Regulatory compliance identification numbers

For the purpose of regulatory compliance certifications and identification, this product has been assigned a unique regulatory model number. The regulatory model number can be found on the product nameplate label, along with all required approval markings and information. When requesting compliance information for this product, always refer to this regulatory model number. The regulatory model number is not the marketing name or model number of the product.

## Federal Communications Commission notice

This equipment has been tested and found to comply with the limits for a Class A digital device, pursuant to Part 15 of the FCC Rules. These limits are designed to provide reasonable protection against harmful interference when the equipment is operated in a commercial environment. This equipment generates, uses, and can radiate radio frequency energy and, if not installed and used in accordance with the instructions, may cause harmful interference to radio communications. Operation of this equipment in a residential area is likely to cause harmful interference, in which case the user will be required to correct the interference at personal expense.

## Modifications

The FCC requires the user to be notified that any changes or modifications made to this device that are not expressly approved by Hewlett-Packard Company may void the user's authority to operate the equipment.

## Canadian notice (Avis Canadien)

This Class A digital apparatus meets all requirements of the Canadian Interference-Causing Equipment Regulations.

Cet appareil numérique de la classe A respecte toutes les exigences du Règlement sur le matériel brouilleur du Canada.

## European Union regulatory notice

Products bearing the CE marking comply with the following EU Directives:

- Low Voltage Directive 2006/95/EC
- EMC Directive 2004/108/EC
- Ecodesign Directive 2009/125/EC, where applicable

CE compliance of this product is valid if powered with the correct CE-marked AC adapter provided by HP.

Compliance with these directives implies conformity to applicable harmonized European standards (European Norms) that are listed in the EU Declaration of Conformity issued by HP for this product or product family and available (in English only) either within the product documentation or at the following HP website (<http://www.hp.eu/certificates>) (type the product number in the search field).

The compliance is indicated by one of the following conformity markings placed on the product:

For non-telecommunications products and for EU harmonized telecommunications products, such as Bluetooth® within power class below 10mW.



For EU non-harmonized telecommunications products (If applicable, a 4-digit notified body number is inserted between CE and !).



Please refer to the regulatory label provided on the product.

The point of contact for regulatory matters is Hewlett-Packard GmbH, Dept./MS: HQ-TRE, Herrenberger Strasse 140, 71034 Boeblingen, GERMANY.

## Disposal of waste equipment by users in private households in the European Union



This symbol on the product or on its packaging indicates that this product must not be disposed of with your other household waste. Instead, it is your responsibility to dispose of your waste equipment by handing it over to a designated collection point for the recycling of waste electrical and electronic equipment. The separate collection and recycling of your waste equipment at the time of disposal will help to conserve natural resources and ensure that it is recycled in a manner that protects human health and the environment. For more information about where you can drop off your waste equipment for recycling, please contact your local city office, your household waste disposal service or the shop where you purchased the product.

## Chinese notice

### Class A equipment

声明  
此为 A 级产品，在生活环境中，该产品可能会造成无线电干扰。在这种情况下，可能需要用户对干扰采取可行的措施。

## BSMI notice

### 警告使用者:

這是甲類的資訊產品，在居住的環境中使用時，可能會造成射頻干擾，在這種情況下，使用者會被要求採取某些適當的對策。

## Japanese class A notice

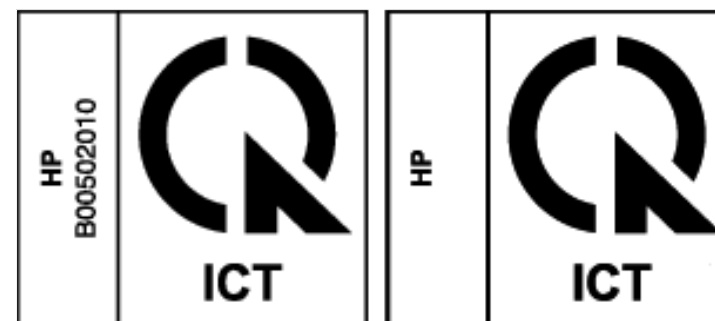
この装置は、クラスA情報技術装置です。この装置を家庭環境で使用すると電波妨害を引き起こすことがあります。この場合には使用者が適切な対策を講ずるよう要求されることがあります。 VCCI-A

## Korean class A notice

A급 기기 (업무용 방송통신기기)	이 기기는 업무용(A급)으로 전자파적합등록을 한 기기이오니 판매자 또는 사용자는 이 점을 주의하시기 바라며, 가정 외의 지역에서 사용하는 것을 목적으로 합니다.
-----------------------	---

## Vietnam compliance marking notice

This marking is for applicable products only.



## Laser compliance

This product may be provided with an optical storage device (that is, CD or DVD drive) and/or fiber optic transceiver. Each of these devices contains a laser that is classified as a Class 1 Laser Product in accordance with US FDA regulations and the IEC 60825-1. The product does not emit hazardous laser radiation.

Each laser product complies with 21 CFR 1040.10 and 1040.11 except for deviations pursuant to Laser Notice No. 50, dated June 24, 2007; and with IEC 60825-1:2007.

**WARNING:** Use of controls or adjustments or performance of procedures other than those specified herein or in the laser product's installation guide may result in hazardous radiation exposure. To reduce the risk of exposure to hazardous radiation:

- Do not try to open the module enclosure. There are no user-serviceable components inside.
- Do not operate controls, make adjustments, or perform procedures to the laser device other than those specified herein.
- Allow only HP Authorized Service technicians to repair the unit.

The Center for Devices and Radiological Health (CDRH) of the U.S. Food and Drug Administration implemented regulations for laser products on August 2, 1976. These regulations apply to laser products manufactured from August 1, 1976. Compliance is mandatory for products marketed in the United States.